

***Think safety think Steelmate***



**STEELMATE CO., LTD.**

[www.steel-mate.com](http://www.steel-mate.com)

All rights reserved  
The trademark, patent and copyright are owned by Steelmate Co., Ltd.  
The right to change the design and specifications reserved



***STEELMATE***  
*Automotive*

886E series

*Motorcycle Alarm System*



Manual

## Contents

### User's Manual

<b>Important notice</b> .....	2
<b>Key features</b> .....	2
<b>Technical parameter</b> .....	2
<b>Brief look at each device</b> .....	2
<b>Functions</b> .....	3
1. Arming .....	3
2. Emergency alarm .....	3
3. Disarming and rearming .....	3
4. Locating by sound and light .....	3
5. Not-armed warning .....	3
6. Anti-hijacking .....	3
7. Remote engine stop .....	3
8. Adjusting the sensitivity of shock sensor ---	3

### Installation Manual

<b>Installation guide</b> .....	5
<b>ECU installation</b> .....	6
<b>Siren installation</b> .....	6
<b>Warranty terms</b> .....	6
<b>Warranty card</b> .....	7

# Motorcycle Alarm System

User's Manual

## Important notice

- Please install the system by an authorized engineer.
- Keep the product and the transmitters from water.
- It is highly recommended you read this manual carefully before the installation and operation of this unit.
- When the transmitter operating distance is shorter or its indicator light turns dark, please replace the battery with a new one ASAP.

## Technical parameter

- Voltage: 9-16V
- Static current: <3mA
- Siren SPL: 105~125dB
- Frequency range: 433.92MHz

## Key features

- Fashionable transmitter
- Water resistant ECU
- Sensitivity adjustable
- Remote control arming/disarming/locating
- Anti-jamming and engine immobilization
- Low power consumption (<3mA)

## Brief look at each device

- 🔔 **Arm**  
Press 🔔 button to arm in alarm arming mode.
- 🔇 **Mute**  
Press 🔇 button to arm in mute arming mode.
- 🔔 **Disarm**  
Press 🔔 button to disarm the system.
- 📶 **Panic**  
Press 📶 to locate the motorcycle.

### 1. Arming

Press **Ⓜ** button to arm in alarm arming mode. When the system is impacted at the first time, the turn signals will flash 3 times with siren chirping. If the system is impacted for the second time within 15 seconds, the siren will chirp sharply with turn signals flashing for 15 seconds, and the engine will be immobilized.

Press **Ⓜ** button to enter mute arming mode. When the system is impacted at the first time, the turn signals will flash 3 times. If the system is impacted for the second time within 1.5 seconds, the turn signals will flash for 15 seconds, and the engine will be immobilized.

### 2. Emergency alarm

In arming mode, if the key is turned to ACC ON position, the siren will alarm sharply, the turn signals will flash and the engine will be immobilized. Press any button to stop alarming.

### 3. Disarming and rearming

In arming mode, press **Ⓜ** button to disarm the system. If the motorcycle is not impacted or the engine is not started in 30 seconds, the system will return to the former arming mode automatically.

Press **Ⓜ** button twice, the turn signals will flash twice and the system will be disarmed completely.

### 4. Locating by sound and light

In arming mode, press **Ⓜ** for 2 seconds, the siren will chirp for 1.5 seconds with turn signals flashing to locate the motorcycle.

### 5. Not-armed warning

When the motorcycle is ACC off and the system is not armed in 10 seconds, the siren will chirp 3 times with turn signals flashing 3 times to remind the owner to arm the system.

### 6. Anti-hijacking

During driving, press **Ⓜ** button for 1 second, the siren will chirp sharply with turn signals flashing, the engine will be immobilized after 10 seconds. Press **Ⓜ** button to stop this function.

### 7. Remote engine stop

When the engine is running, press **Ⓜ** button once, the engine will be stopped.

### 8. Adjusting the sensitivity of shock sensor

In disarming status, press and hold **Ⓜ** button for 5 seconds, the turn signals will turn on and enter the shock sensor sensitivity setting mode. Press **Ⓜ** button to adjust the shock sensor sensitivity. The shock sensor has 5 sensitivity levels, level 5 is the highest sensitivity, and level 1 is the lowest (factory setting is level 4).

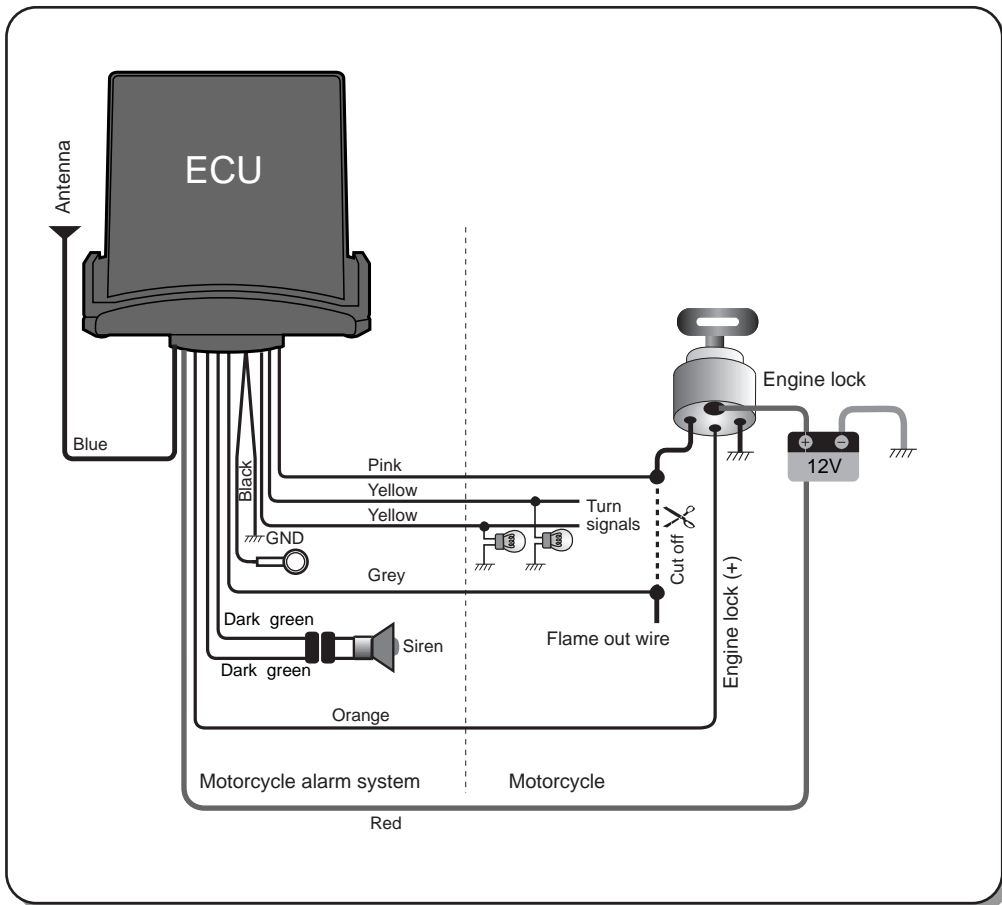
While selecting sensitivity levels, the siren beeps once indicates the sensitivity is level 1, the siren beeps twice indicates for level 2, three times for level 3, and so on. Once the suitable sensitivity is set, press **Ⓜ** button to confirm and exit the setting mode.

If there is no operation within 15 seconds in the sensitivity setting mode, the system will return to previous sensitivity setting and exit.

## Motorcycle Alarm System

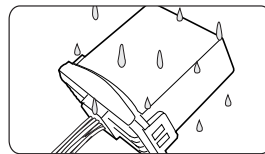
### Installation Manual

## Installation guide



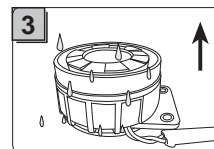
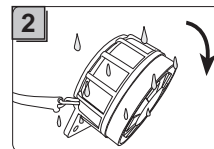
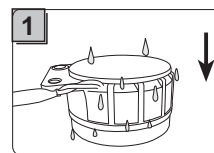
## ECU installation

Please mount the ECU downwards.



## Siren installation

Please mount the siren downwards as shown in the figures 1 or 2 below:



## Warranty terms

I. The unit is warranted for a limited period of time from the date of purchase. In the unlikely event of a defect arising in this product when used in accordance with the manufacturer's instructions, the parts would be repaired or replaced free of charge.

- 1 It is required to show warranty card when making any warranty claims.
- 1 The model and serial number on the unit must be the same as the information on the warranty card.

II. This warranty is non-transferable and is automatically void if:

- 1 The original purchaser has not completed the warranty card.
- 1 The unit's serial number is defaced, missing or altered.
- 1 The unit has been modified or used in a manner contrary to its intended purpose.
- 1 The unit has been damaged by accident, unreasonable use, neglect, improper installation or service.

III. The warranty does not cover damage to the unit caused by installation or removal of the unit.

## Warranty card

**Dear user:**

Thank you for choosing this product.  
Please fill the form below and retain it.

**User's information:**

User:

Tel:

Vehicle license No.:

Product model No.:

Serial No.:

Date of installation:

Name of the retailer

Signed by distributor